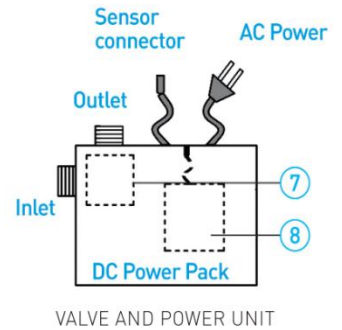
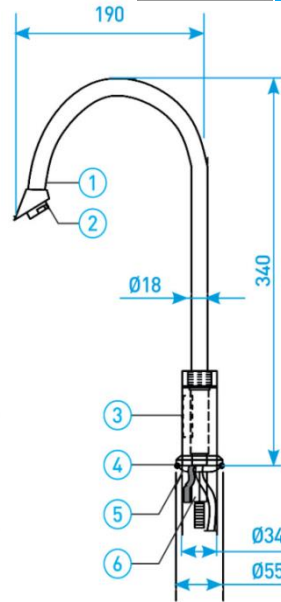
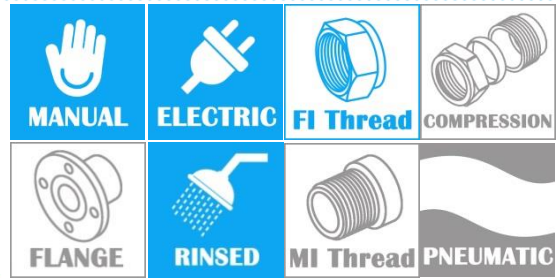


SENSOR BASIN PILLAR TAP

COMPLY WITH BS EN 200:2008
 SS 448: 1998
 BS EN248:2002
 AS/NZS 4020:2005
 SS 375:2015
 SS 270:2015



SIDE CROSS SECTIONAL VIEW

CHARACTERISTIC

- Suitable for public, commercial and institutional washrooms.
- Touch-free operation through infra-red sensor.
- Saves water through built-in volume control and jet regulator,
- Corrosion-resistant material.
- Easy installation and maintenance.

COMPONENT PARTS

ITEM	PARTS	MATERIAL
1.	Spout	Brass
2.	Flow Regulator	ABS
3.	Sensor Eye	PC
4.	O- ring	EPDM
5.	Metal Washer	Zinc Alloy
6.	Long nut	Brass
7.	Valve	Brass
8.	Adapter	Silicon Steel

STANDARD SPECIFICATIONS

SKU	APPLICABLE WATER PRESSURE	WATER TEMPERATURE	ENVIRONMENTAL TEMPERATURE	WATER SUPPLYING CALIBER	POWER SUPPLY	ALTERNATIVE POWER SUPPLY	WEIGHT (kg)	PCS/CTN
STN8113AD	0.05~0.7MPa	20° -60°C	0.1~45°C	G 1/2"	A.C 220V~240V	DC 6V 4xAA Size Alkaline Batteries [Estimated 6 months lifespan]	2.1	8