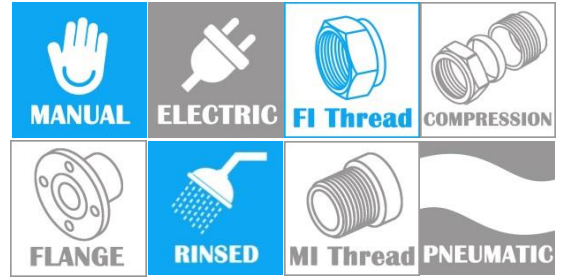
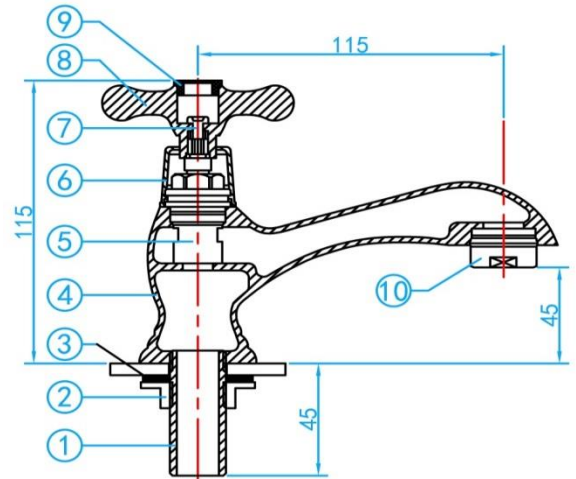


# CHROME PLATED QUICK ACTION CROSS HANDLE BASIN PILLAR TAP

COMPLY WITH BSEN200:2008  
 BSEN248:2002  
 AS/NZS4020:2005  
 SS375: PART 1



NORMAL-CROSS HANDLE



SECTION VIEW

COMPONENT PARTS

ITEM	PARTS	MATERIAL
1.	Inlet Pipe	Brass
2.	Nut	Brass
3.	Washes	NBR
4.	Body	Brass
5.	Piston	Brass, NBR, Ceramic
6.	Decorative Cover	ABS
7.	Cross Head Screw	AISI304
8.	Handle	Brass
9.	Stifle	ABS
10.	Bubbler	Brass, ABS, NBR

STANDARD SPECIFICATIONS

SKU	APPLICABLE WATER PRESSURE	WATER TEMPERATURE	ENVIRONMENTAL TEMPERATURE	H (mm)	WATER SUPPLYING CALIBER	WEIGHT (kg)	PCS/CTN
NML8	1.0Mpa	t ≤ 90°C	Room Temperature	115	1/2" BSP	0.575	30