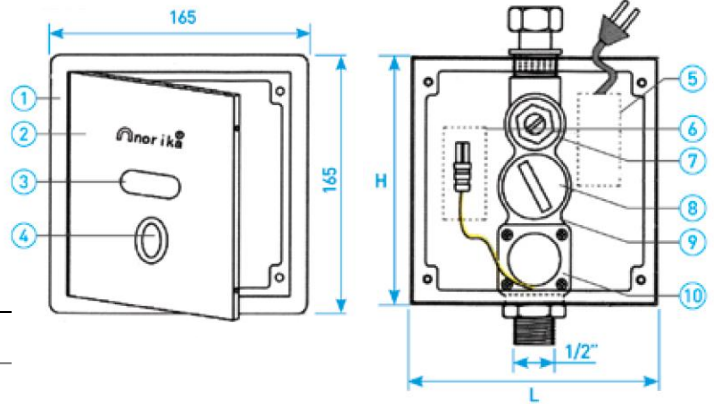


URINAL CONCEAL AUTO SENSOR FLUSHING SYSTEM



COMPONENT PARTS

| ITEM | PARTS | MATERIAL |
|------|------------------|---------------|
| 1. | Face Panel Easel | AISI304 |
| 2. | Face Panel | AISI304 |
| 3. | Sensor Eye | PC |
| 4. | Push Button | AISI304 |
| 5. | AC Power Adaptor | Silicon Steel |
| 6. | Battery Pack | ABS |
| 7. | Flow Regulator | ABS |
| 8. | Filter | AISI304 |
| 9. | Valve Body | Brass |
| 10. | Solenoid Valve | Brass |

EXTERNAL VIEW

INTERNAL VIEW

CHARACTERISTIC

- Intelligent user friendly sensing with manual over-riding option for convenience.
- Adjustable flushing volume features to cater to low capacity flushing for water conversion.
- Invisible locking mechanism and stainless steel satin finish for stylish aesthetic look.
- The automatic flushing feature ensure that your washroom is rid of odor at all time.

STANDARD SPECIFICATIONS

| SKU | SIZE [mm] | SENSOR DISTANCE | POWER SUPPLY | OPERARTIONAL PRESSURE |
|------------|---------------------------|-----------------|-----------------|-----------------------|
| AFVN1067AD | 130[L] x 106 [H] x 73 [W] | 500mm to 700mm | DC :6V, AC:220V | 0.7~3.0 Bar |

STANDARD SPECIFICATIONS

| PERIPHERAL TEMPERATURE RANGE | RESPONSE TIME | VOLUME OF DISCHARGE | INLET DIAMETER | WEIGHT [kg] | PCS/CTN |
|------------------------------|---------------|---------------------|----------------|-------------|---------|
| 0-60° | 5 Seconds | 0.5 to 1.5 litres | 15mm | 1.13 | 8 |