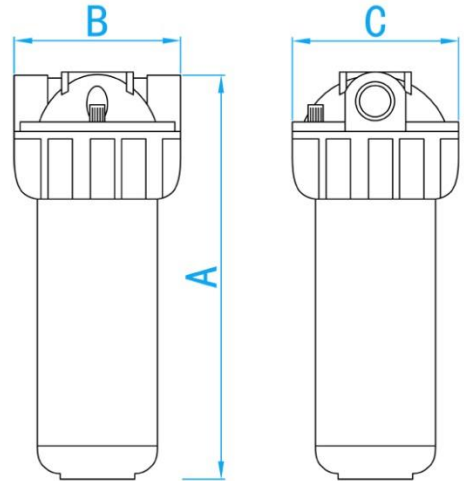
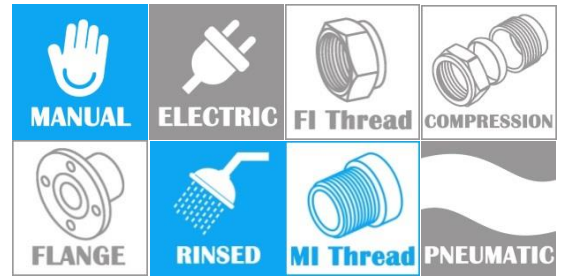


WATER FILTER



* Filter cartridge can be used to filter impurities larger than 5µm in size.

COMPONENT PARTS		
ITEM	PARTS	MATERIAL
1	Head	Reinforced Polypropylene
2	Inlet/Outlet Threads	CW 614 N Brass
3	Bowl	PET
4	O-Ring	EPDM
5	Filter Cartridge	Polypropylene Thread

WORKING PRESSURE	
Cartridge Type	FA
Max Operating Pressure	110 PSI
Max Operating Temperature	40°
Media	Municipal Water

DIMENSIONS								
SKU	BSP Threads (mm)	A (mm)	B (mm)	C (mm)	Weight (Kg)	Package	Filter Cartridge Code	Weight (Kg)
WFN05	15	190	128	123	0.877	12Nos	WFE05	0.092
WFN10	20	310	128	123	1.124	12Nos	WFE10	0.150