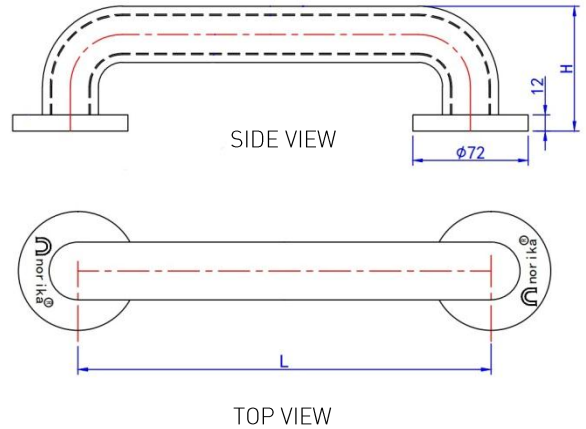


ANTI-BACTERIAL S/STEEL HANDICAPPED GRAB BAR FOR URINAL BOWL

COMPLY WITH JIS Z 2801:2000

norika
norika
norika



STANDARD SPECIFICATIONS

STOCK CODE	MATERIAL	H (mm)	L (mm)	WEIGHT (kg)
ABGB600U	AISI304 & NYLON	140	600	1.20