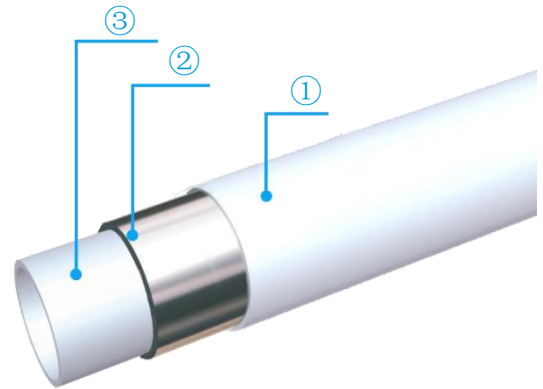
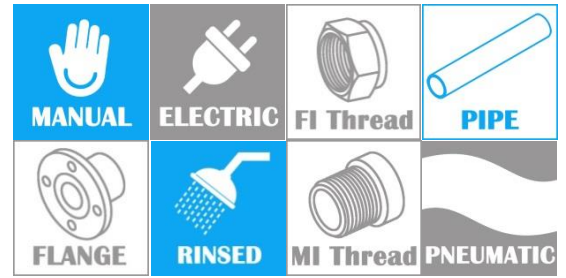


PEX-B/AL/PEX-B THREE LAYER PIPE

COMPLY WITH BS EN ISO 21003-1:2008
 BSEN ISO 21003-2:2008+A1:2011
 SS 375:2015



STANDARD SPECIFICATION

Working Pressure	10 Bar
Working Temperature	0 ~ 95°C
Applications	Hot and cold potable water system, Underfloor heating system

COMPONENT PARTS

ITEM	PARTS	MATERIAL
1	Outside layer	PEX-B
2	Middle layer	Aluminum
3	Inside layer	PEX-B

DIMENSIONS

SKU	Outside Diameter (mm)	Inside Diameter (mm)	Thickness (mm)	Tolerance Of Pipe Thickness (mm)	WEIGHT (kg/m)	M/CTN
PIPPEX016	16	12	2.0	2.00~2.25	0.121	200M
PIPPEX020	20	16	2.0	2.00~2.25	0.166	200M
PIPPEX025	25	20	2.5	2.40~2.70	0.235	100M
PIPPEX032	32	26	3.0	2.90~3.20	1.040	50M
PIPPEX040	40	32	4.0	4.00~4.60	0.567	6M
PIPPEX050	50	41	4.5	4.50~5.20	0.820	6M
PIPPEX063	63	51	6.0	6.00~6.80	1.334	6M
PIPPEX075	75	60	7.5	7.50~8.50	1.893	6M