

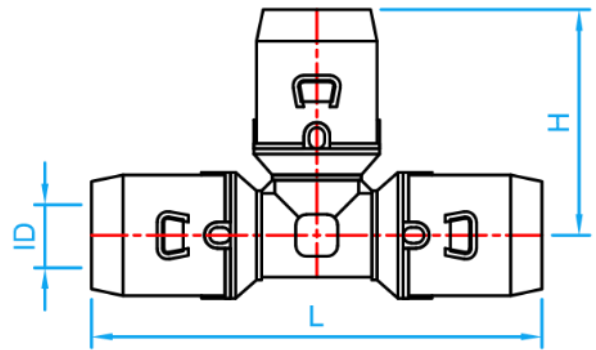
PEX MULTI LAYER PIPES AND FITTINGS



COMPLY WITH BS EN ISO 21003-1:2008
 BS EN ISO 21003-3:2008
 BS EN ISO 21003-5:2008
 BS EN 12165:2016
 AS/NZS 4020:2005
 SS 375:2015



F6 PUSH-FIT PEX EQUAL TEE



SIDE VIEW

DIMENSIONS

SKU	SIZE (mm)	ID (mm)	L (mm)	H (mm)	WEIGHT (kg)	PCS/CTN
PEXF6ET16	16	11.80	86	43	0.117	96
PEXF6ET20	20	15.80	93	47	0.174	72
PEXF6ET25	25	19.75	106	53	0.270	48
PEXF6ET32	32	25.75	125	63	0.451	24