

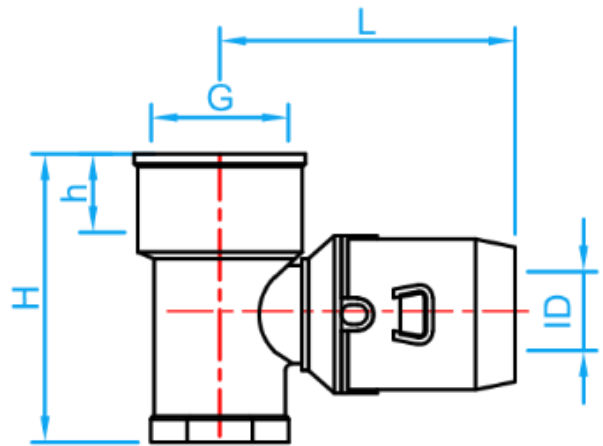
# PEX MULTI LAYER PIPES AND FITTINGS



COMPLY WITH BS EN ISO 21003-1:2008  
 BS EN ISO 21003-3:2008  
 BS EN ISO 21003-5:2008  
 AS/NZS 4020:2005  
 SS 375:2015



## F6 PUSH-FIT PEX FI WALLPLATE ELBOW



SIDE VIEW

### DIMENSIONS

SKU	SIZE (mmxinch)	ID (mm)	h (mm)	L (mm)	H (mm)	WEIGHT (kg)	PCS/CTN
PEXF6FE16	16X1/2"	11.80	15	47	43	0.082	144
PEXF6FE2016	20X1/2"	15.80	15	48	43	0.127	120
PEXF6FE20	20X3/4"	15.80	16	51	44	-	-
PEXF6FE2520	25X3/4"	19.75	16	56	48	-	-