

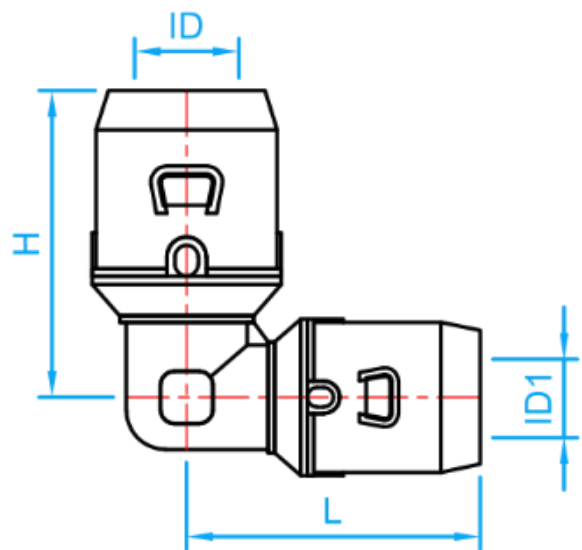
# PEX MULTI LAYER PIPES AND FITTINGS



COMPLY WITH BS EN ISO 21003-1:2008  
 BS EN ISO 21003-3:2008  
 BS EN ISO 21003-5:2008  
 BS EN 12165:2016  
 AS/NZS 4020:2005  
 SS 375:2015



## F6 PUSH-FIT PEX REDUCING ELBOW



SIDE VIEW

### DIMENSIONS

SKU	SIZE (mm)	ID (mm)	ID1 (mm)	L (mm)	H (mm)	WEIGHT (kg)	PCS/CTN
PEXF6RE902016	20X16	15.80	11.80	45	47	0.126	128
PEXF6RE902516	25X16	19.75	11.80	47	53	0.111	100
PEXF6RE902520	25X20	19.75	15.80	49	53	0.155	84
PEXF6RE903216	32X16	25.75	11.80	50	60	-	-
PEXF6RE903220	32X20	25.75	15.80	53	60	-	-
PEXF6RE903225	32X25	25.75	19.75	59	60	-	-