

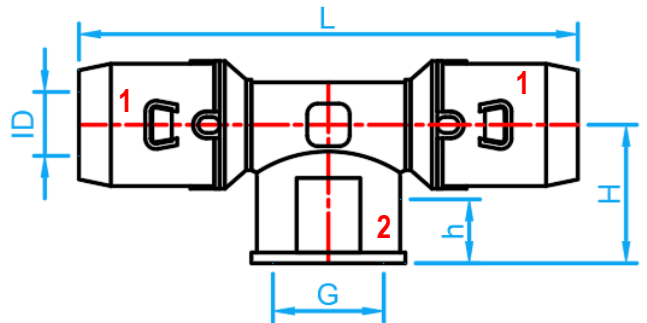
PEX MULTI LAYER PIPES AND FITTINGS



COMPLY WITH BS EN ISO 21003-1:2008
 BS EN ISO 21003-3:2008
 BS EN ISO 21003-5:2008
 BS EN 12165:2016
 AS/NZS 4020:2005
 SS 375:2015



F6 PUSH-FIT PEX FI TEE



SIDE VIEW

DIMENSIONS

| SKU | SIZE (mmxinch) | ID (mm) | G BSPT (inch) | h (mm) | L (mm) | H (mm) | WEIGHT (kg) | PCS/CTN |
|--------------|-------------------|------------|---------------------|-----------|-----------|-----------|----------------|---------|
| PEXF6FIT16 | 16X1/2" | 11.80 | 1/2" | 14 | 94 | 26 | 0.118 | 110 |
| PEXF6FIT1620 | 16X3/4" | 11.80 | 3/4" | 15 | 99 | 27 | - | - |
| PEXF6FIT2016 | 20X1/2" | 15.80 | 1/2" | 14 | 97 | 27 | 0.122 | 90 |
| PEXF6FIT20 | 20X3/4" | 15.80 | 3/4" | 15 | 102 | 28 | - | - |
| PEXF6FIT2516 | 25X1/2" | 19.75 | 1/2" | 14 | 107 | 29 | - | - |
| PEXF6FIT2520 | 25X3/4" | 19.75 | 3/4" | 15 | 112 | 30 | - | - |
| PEXF6FIT3216 | 32X1/2" | 25.75 | 1/2" | 14 | 118 | 32 | - | - |
| PEXF6FIT3220 | 32X3/4" | 25.75 | 3/4" | 15 | 123 | 33 | - | - |
| PEXF6FIT3225 | 32X1" | 25.75 | 1" | 16 | 131 | 34 | - | - |