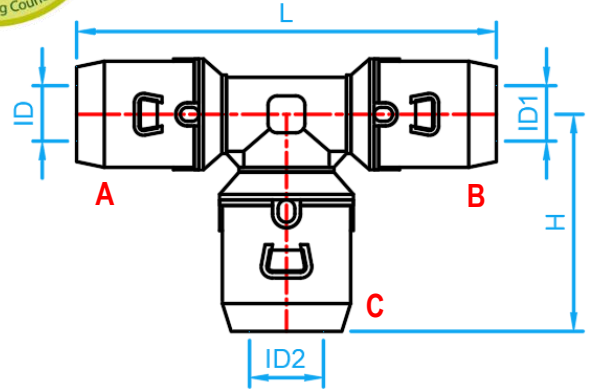


PEX MULTI LAYER PIPES AND FITTINGS

COMPLY WITH BS EN ISO 21003-1:2008
 BS EN ISO 21003-3:2008
 BS EN ISO 21003-5:2008
 BS EN 12165:2016
 AS/NZS 4020:2005
 SS 375:2015



F6 PUSH-FIT PEX REDUCING TEE



SIDE VIEW

DIMENSIONS

SKU (A*B*C)	SIZE (A*C*B)	ID (mm)	ID1 (mm)	ID2 (mm)	L (mm)	H (mm)	WEIGHT (kg)	PCS/CTN
PEXF6RT161620	16X20X16	11.80	11.80	15.80	91	47	-	-
PEXF6RT161625	16X25X16	11.80	11.80	19.75	96	53	0.173	60
PEXF6RT201616	20X16X16	15.80	11.80	11.80	88	45	0.138	72
PEXF6RT201620	20X20X16	15.80	11.80	15.80	92	47	0.157	72
PEXF6RT202016	20X16X20	15.80	15.80	11.80	93	47	0.156	72
PEXF6RT201625	20X25X16	15.80	11.80	19.75	98	53	-	-
PEXF6RT202025	20X25X20	15.80	15.80	19.75	99	53	-	-
PEXF6RT202032	20X32X20	15.80	15.80	25.75	106	60	-	-
PEXF6RT251616	25X16X16	19.75	11.80	11.80	93	47	-	-
PEXF6RT252016	25X16X20	19.75	15.80	11.80	95	47	-	-
PEXF6RT252516	25X16X25	19.75	19.75	11.80	100	47	0.215	60
PEXF6RT251620	25X20X16	19.75	11.80	15.80	97	49	-	-
PEXF6RT252020	25X20X20	19.75	15.80	15.80	98	49	0.208	60
PEXF6RT252520	25X20X25	19.75	19.75	15.80	103	49	0.236	56
PEXF6RT251625	25X25X16	19.75	11.80	19.75	102	53	-	-
PEXF6RT252025	25X25X20	19.75	15.80	19.75	104	53	-	-
PEXF6RT252532	25X32X25	19.75	19.75	25.75	106	60	-	-
PEXF6RT322516	32X16X25	25.75	19.75	11.80	105	50	-	-
PEXF6RT323216	32X16X32	25.75	25.75	11.80	110	50	0.330	48
PEXF6RT322020	32X20X20	25.75	15.80	15.80	104	53	-	-
PEXF6RT322520	32X20X25	25.75	19.75	15.80	109	53	-	-
PEXF6RT323220	32X20X32	25.75	25.75	15.80	114	53	0.350	48
PEXF6RT322525	32X25X25	25.75	19.75	19.75	114	59	0.333	32
PEXF6RT323225	32X25X32	25.75	25.75	19.75	120	59	0.390	24