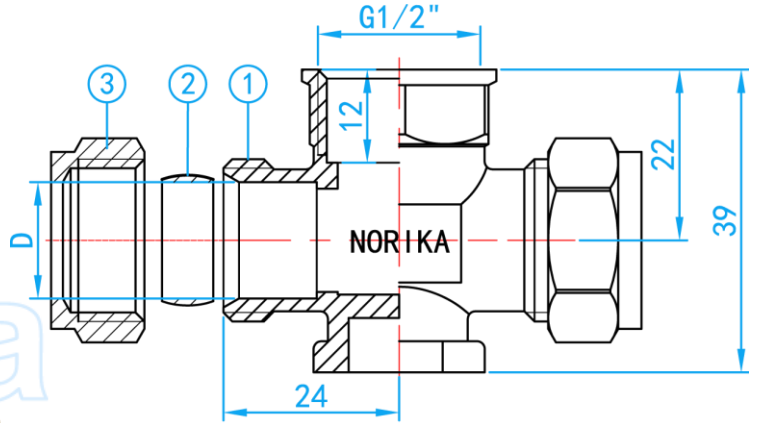
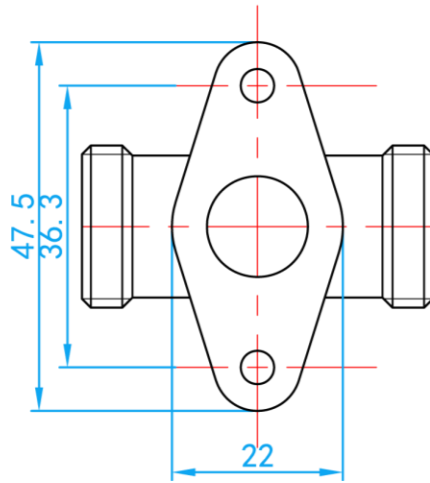


COMPRESSION [CXFI WALLPLATE] TEE

COMPLY WITH BSEN1254-2:1998



SECTION VIEW



SIDE VIEW OF BODY

COMPONENT PARTS

| ITEM | PARTS | MATERIAL |
|------|-------|----------|
| 1 | Body | CR Brass |
| 2 | Ring | Brass |
| 3 | Nut | Brass |

DIMENSIONS

| SKU | D (mm) | WEIGHT (kg) | PCS/CTN |
|---------|--------|-------------|---------|
| CRFT015 | 15 | 0.124 | 150 |