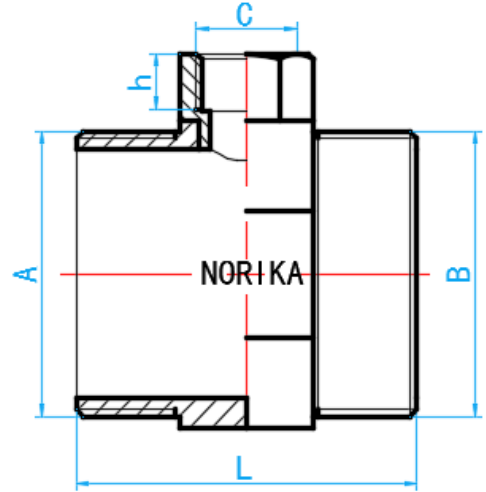
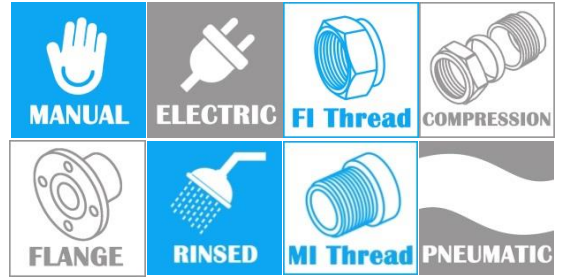
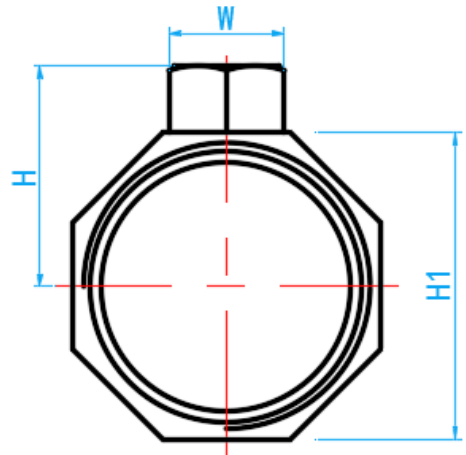


EQUAL NIPPLE FI TEE

COMPLY WITH BSEN1254-2: 1998



CROSS SECTIONAL VIEW



SIDE VIEW

COMPONENTS PARTS

PARTS	MATERIAL
EQUAL SOCKET	DZR BRASS

DIMENSIONS

SKU	AxBxC (inch)	h (mm)	L (mm)	W (mm)	H (mm)	H1 (mm)	WEIGHT (Kg)	PCS/CTN
CRENFIT0505015	2"BSPT×2"BSPT ×1/2"BSP	12	71	24	46	64	0.4952	36