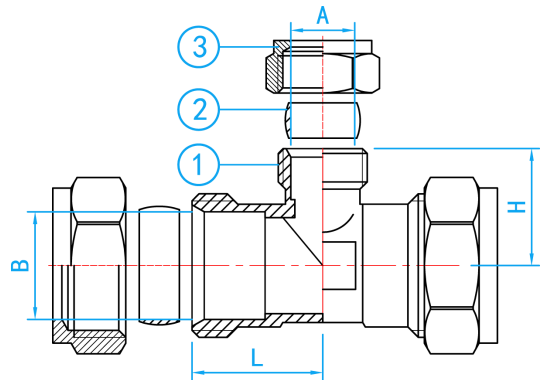


# COMPRESSION [CXCXC] REDUCING TEE

COMPLY WITH BSEN1254-2:1998



SECTION VIEW

**COMPONENT PARTS**

ITEM	PARTS	MATERIAL
1	Body	CR Brass
2	Ring	Brass
3	Nut	Brass

**DIMENSIONS**

SKU	A (mm)	B (mm)	H (mm)	L (mm)	WEIGHT (kg)	PCS/CTN
CRCCT0202015	15	22	28.3	25.6	0.150	150
CRCCT0252515	15	28	29.0	25.0	0.215	100
CRCCT0353515	15	35	32.0	29.0	0.310	50
CRCCT0353520	22	35	39.0	35.0	0.370	50
CRCCT0424215	15	42	42.0	38.3	0.445	30
CRCCT0424220	22	42	42.0	38.3	0.450	30
CRCCT0505015	15	54	52.0	39.6	0.775	15
CRCCT0505025	28	54	52.5	39.6	0.775	15