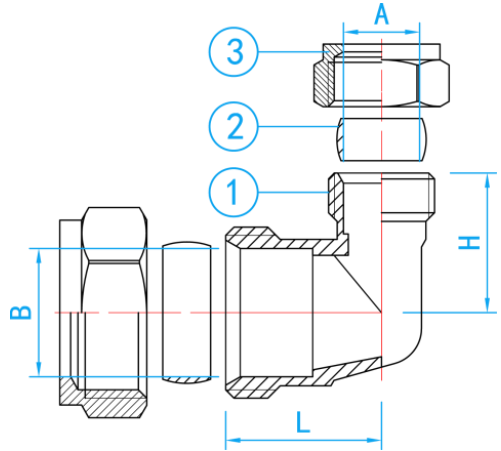


COMPRESSION [CXC] REDUCING ELBOW

COMPLY WITH BSEN1254-2:1998



SECTION VIEW

COMPONENT PARTS

ITEM	PARTS	MATERIAL
1	Body	CR Brass
2	Ring	Brass
3	Nut	Brass

DIMENSIONS

SKU	A (mm)	B (mm)	H (mm)	L (mm)	WEIGHT (kg)	PCS/CTN
CRCCE01510	10	15	20	21	0.055	300
CRCCE02015	15	22	21	21	0.095	250