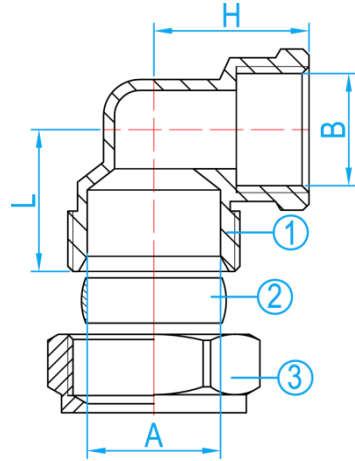


COMPRESSION REDUCING [CXFI] ELBOW

COMPLY WITH BSEN1254-2:1998



SECTION VIEW

COMPONENT PARTS

ITEM	PARTS	MATERIAL
1	Body	CR Brass
2	Ring	Brass
3	Nut	Brass

DIMENSIONS

SKU	A×B (mm x inch)	H (mm)	L (mm)	WEIGHT (kg)	PCS/CTN
CRCFIE02015	22×1/2" BSP	25.6	31.8	0.095	150