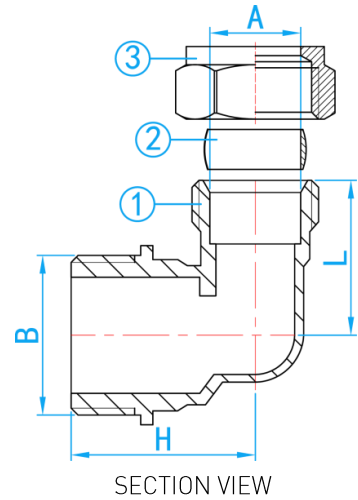


COMPRESSION REDUCING [CXMI] ELBOW

COMPLY WITH BSEN1254-2:1998



COMPONENT PARTS

ITEM	PARTS	MATERIAL
1	Body	CR Brass
2	Ring	Brass
3	Nut	Brass

DIMENSIONS

SKU	A×B (mm x inch)	H (mm)	L (mm)	WEIGHT (kg)	PCS/CTN
CRCMIE01520	15×3/4" BSPT	30.4	25.6	0.088	200
CRCMIE02015	22×1/2" BSPT	30.7	23.8	0.088	200