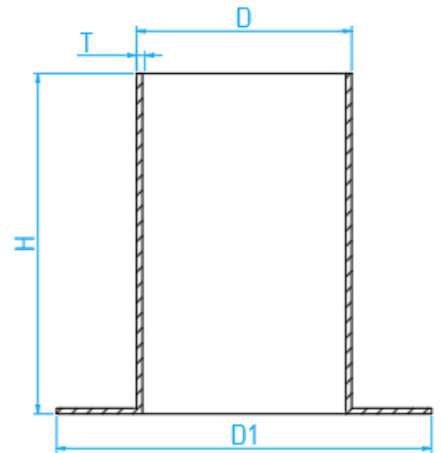


# STAINLESS STEEL 304 PRESS FIT FITTINGS

COMPLY WITH BSEN1254-2: 1998  
AS/NZS 4020: 2005



## FLANGE SOCKET

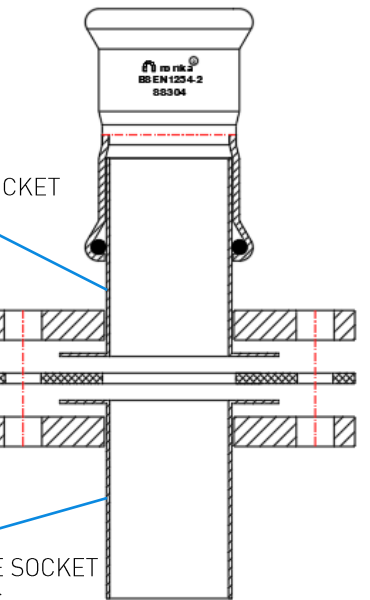


CROSS SECTIONAL VIEW

- DUCTILE IRON FLANGE  
SKU: DIFMBL
- EPDM RUBBER GASKET  
SKU: RFGN-PUB
- DUCTILE IRON FLANGE  
SKU: DIFMBL

- SS304 FLANGE SOCKET  
SKU:SSPFNFS

- SS304 FLANGE SOCKET  
SKU:SSPFNFS



INSTALLATION ASSEMBLY

### DIMENSIONS

SKU	DN (mm)	D (mm)	D1 (mm)	H (mm)	T (mm)	WEIGHT (kg)	PCS/CTN
SSPFNFS042	42	42.07	97	90	1.5	0.261	30
SSPFNFS050	54	54.07	107	100	1.5	0.352	45
SSPFNFS065	67	66.75	127	140	1.5	0.619	19
SSPFNFS080	76	76.30	142	150	2.0	0.665	14
SSPFNFS100	108	108.25	160	190	2.0	1.223	8