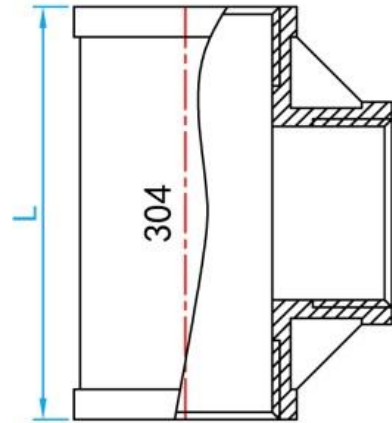


STAINLESS STEEL 304 FITTINGS

EQUAL TEE



CROSS SECTIONAL VIEW

DIMENSIONS

SKU	SIZE (inch)	L (mm)	WEIGHT (kg)	PCS/CTN
SS304ET015	½" BSP	55	0.0948	200
SS304ET020	¾" BSP	65	0.1416	130
SS304ET025	1" BSP	73.5	0.2259	75
SS304ET035	1¼" BSP	86	0.3366	48
SS304ET042	1½" BSP	95	0.4500	36
SS304ET050	2" BSP	102	0.6370	24
SS304ET065	2½" BSP	137	1.090	12
SS304ET080	3" BSP	155	1.745	4
SS304ET100	½" BSP	184	2.9000	4