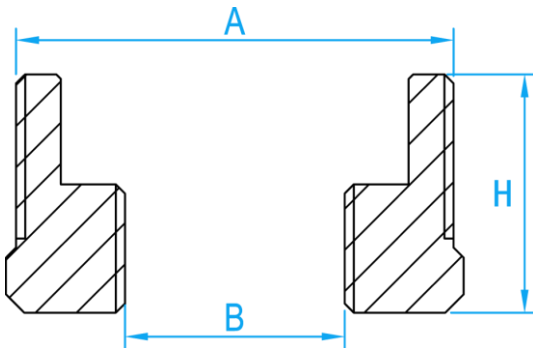


# [MIXFI] BRASS BUSH


**COMPONENT PARTS**

PARTS	MATERIAL
Bush	DZR Brass

**DIMENSIONS**


CROSS SECTIONAL VIEW

SKU	A (inch)	B (inch)	H (mm)	WEIGHT (kg)	PCS/CTN (kg)
CRRB01503	½"BSPT	1/8" BSP	15	0.030	800
CRRB01506	½"BSPT	¼" BSP	15	0.025	800
CRRB01509	½"BSPT	7/16" UNF	15	0.030	-
CRRB01510	½"BSPT	3/8" BSP	15	0.017	1000
CRRB02015	¾"BSPT	½" BSP	16	0.025	500
CRRB02515	1"BSPT	½" BSP	26	0.075	300
CRRB02520	1"BSPT	¾" BSP	26	0.075	300
CRRB03515	1¼"BSPT	½" BSP	26	0.140	170
CRRB03520	1¼"BSPT	¾" BSP	26	0.100	200
CRRB03525	1¼"BSPT	1" BSP	26	0.090	120
CRRB04215	1½"BSPT	½" BSP	26	0.220	-
CRRB04220	1½"BSPT	¾" BSP	26	0.210	-
CRRB04225	1½"BSPT	1" BSP	26	0.170	100
CRRB04235	1½"BSPT	1¼" BSP	26	0.110	100
CRRB05015	2"BSPT	½" BSP	28	0.400	60
CRRB05020	2"BSPT	¾" BSP	28	0.390	-
CRRB05025	2"BSPT	1" BSP	28	0.300	50
CRRB05035	2"BSPT	1¼" BSP	28	0.300	50
CRRB05042	2"BSPT	1½" BSP	28	0.220	100
CRRB06515	2½"BSPT	½" BSP	40	0.785	-
CRRB06520	2½"BSPT	¾" BSP	40	0.740	-
CRRB06525	2½"BSPT	1" BSP	40	0.685	-
CRRB06535	2½"BSPT	1¼" BSP	40	0.680	-
CRRB06542	2½"BSPT	1½" BSP	40	0.645	30
CRRB06550	2½"BSPT	2" BSP	40	0.550	40