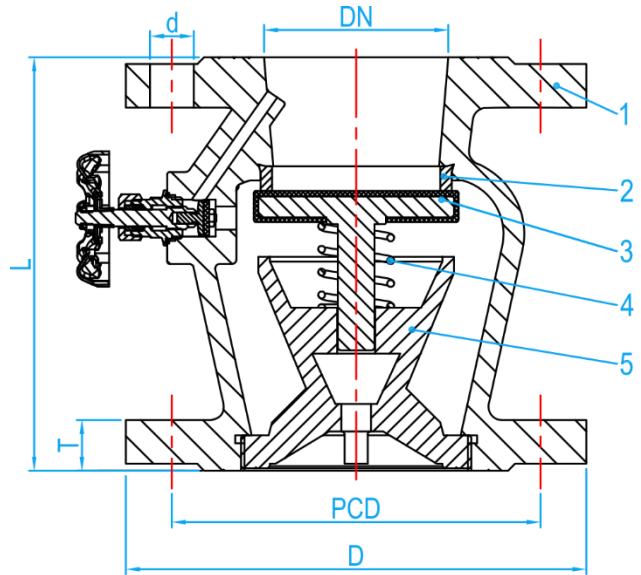
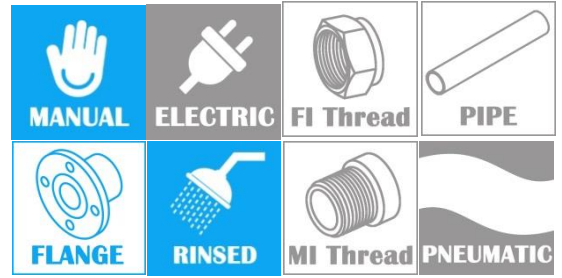


DUCTILE IRON SPRING LOADED BYPASS SILENT CHECK VALVE

COMPLY WITH BS 5153:1974
SS 375:2015
BS EN 545:2010



CROSS SECTIONAL VIEW

STANDARD SPECIFICATIONS

Nominal Pressure	PN16
Operating Temperature	0 ~ 80°C

COMPONENT PARTS

ITEM	PARTS	MATERIAL
1	Body	Ductile Iron
2	Valve Seat	Copper Alloy
3	Disc	Ductile Iron
4	Spring	AISI304
5	Spool	Ductile Iron

DIMENSIONS

SKU	DN (mm)	L (mm)	D (mm)	PCD (mm)	NOS Of BOLT HOLES	d (mm)	WEIGHT (Kg)
CVDIN080FBP	80	180	200	160	8	19	-
CVDIN100FBP	100	240	220	180	8	19	16.68