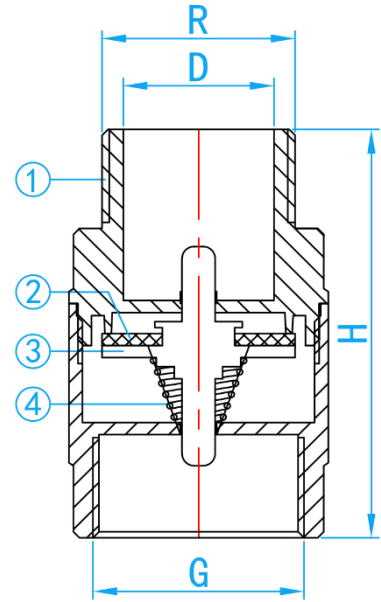


DZR BRASS PISTON SPRING CHECK VALVE M x F

COMPLY WITH BS 5154:1991
AS/NZS 4020:2005
SS 375:2001
BS EN 12165:1998



CROSS SECTIONAL VIEW

STANDARD SPECIFICATIONS

| | |
|-------------------|---------|
| Working Pressure | 200 Psi |
| Applicable Medium | Water |

COMPONENT PARTS

| ITEM | PARTS | MATERIAL |
|------|--------|-----------|
| 1. | Body | DZR Brass |
| 2. | O-ring | EPDM |
| 3. | Piston | DZR Brass |
| 4. | Spring | AISI304 |

DIMENSIONS

| SKU | D (mm) | R (inch) | G (inch) | H (mm) | WEIGHT (kg) | PCS/CTN |
|-------------|--------|-------------|------------|--------|-------------|---------|
| CVCRNB015MF | 15 | 1/2" BSPT | 1/2" BSP | 51.0 | 0.130 | 200 |
| CVCRNB020MF | 20 | 3/4" BSPT | 3/4" BSP | 59.0 | 0.190 | 120 |
| CVCRNB025MF | 25 | 1" BSPT | 1" BSP | 68.0 | 0.260 | 90 |
| CVCRNB035MF | 35 | 1-1/4" BSPT | 1-1/4" BSP | 74.0 | 0.410 | - |
| CVCRNB042MF | 40 | 1-1/2" BSPT | 1-1/2" BSP | 83.0 | 0.620 | - |
| CVCRNB050MF | 50 | 2" BSPT | 2" BSP | 93.5 | 0.920 | - |
| CVCRNB065MF | 65 | 2-1/2" BSPT | 2-1/2" BSP | 106.5 | 1.455 | - |