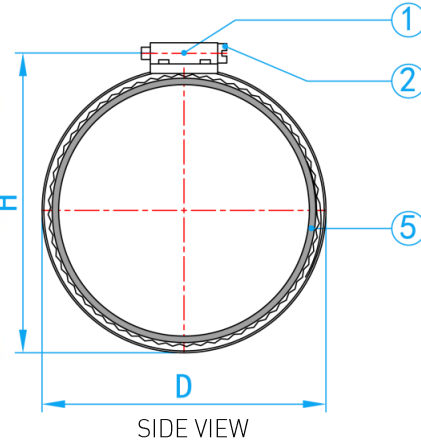
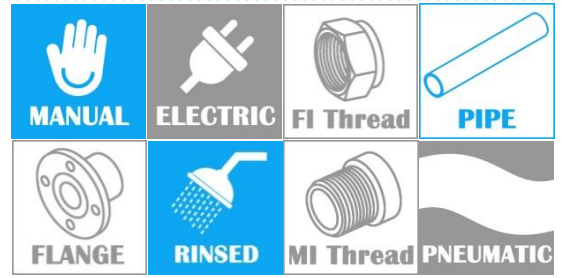
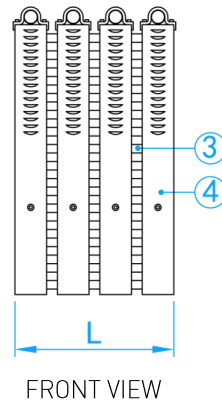


# TYPE A CLIPS

COMPLY WITH CISPI 310-12  
EN877:2010



COMPONENT PARTS		
ITEM	PARTS	MATERIAL
1	Housing	AISI304
2	Worm Screw	AISI304
3	Worm Drive Band	AISI304
4	Shield	AISI304
5	Gasket	EPDM



INSTALLATION ASSEMBLY

## STANDARD SPECIFICATIONS

SKU	SIZE (mm)	Shield With L (mm)	Shield Thickness (mm)	Clamp Width (mm)	No. Clamps	H (mm)	D (mm)	Bolt Size (inch)	Pressure (BAR)	Install Torque (Nm)	Weight (kg)	PCS/CTN								
HUBC050	50	54	0.18	14.2	2	81.2	72	SS304 5/16 Slotted Hex Head worm Screw	0.5	7.5	0.13	100								
HUBC080	75	54			2	105.7	96.5						0.16	100						
HUBC100	100	54			2	130	121								0.20	100				
HUBC150	150	76			4	184	175										0.47	50		
HUBC200	200	100			4	239	230												0.69	30
HUBC250	250	100			4	309	300													
HUBC300	300	138			6	359	350												1.54	16