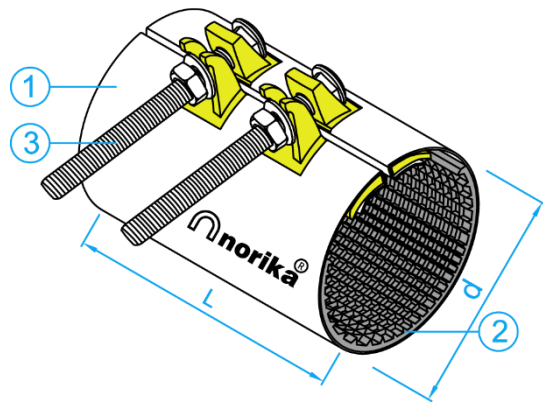


# AISI304 STAINLESS STEEL HALF REPAIR CLAMP



3-D VIEW

STANDARD SPECIFICATIONS

SKU	SIZE (mm)	d (mm)	L (mm)	RANGE MIN/MAX (mm)	WEIGHT (kg)
SSHRC015080	15	25	75	13-15	0.4
SSHRC020080	20	30	75	16-22	0.4
SSHRC025080	25	40	75	25-33	0.4
SSHRC035080	35	50	75	34-36	0.4
SSHRC035150	35	50	150	34-36	0.8
SSHRC042080	42	58	75	44-54	0.4
SSHRC042150	42	58	150	44-54	0.9
SSHRC050080	50	70	75	55-64	0.5
SSHRC050150	50	70	150	55-64	0.9
SSHRC065080	65	80	75	65-88	0.5
SSHRC065150	65	80	150	65-88	1.0
SSHRC080080	80	100	75	89-93	0.5
SSHRC080150	80	100	150	89-93	1.1
SSHRC100080	100	115	75	98-111	0.6
SSHRC100150	100	115	150	98-111	1.2
SSHRC125080	125	135	75	138-156	0.7
SSHRC125150	125	135	150	138-156	1.3
SSHRC125300	125	135	300	138-156	2.6
SSHRC150080	150	180	75	163-183	0.8
SSHRC150150	150	180	150	163-183	1.5
SSHRC150300	150	180	300	163-183	3.0
SSHRC180080	180	190	80	190-210	1.1
SSHRC180150	180	190	150	190-210	2.5
SSHRC180300	180	190	300	190-210	3.2
SSHRC200080	200	230	75	215-230	0.9
SSHRC200150	200	230	150	215-230	1.7
SSHRC200300	200	230	300	215-230	3.4
SSHRC250150	250	270	150	238-264	1.8
SSHRC250300	250	270	300	238-264	3.6
SSHRC300150	300	320	150	310-323	2.0
SSHRC300300	300	320	300	310-323	4.0
SSHRC350300	350	360	300	353-380	4.5
SSHRC400300	400	420	300	382-410	5.0
SSHRC450300	450	460	300	480-510	6.2
SSHRC500300	500	480	300	483-515	6.8
SSHRC600300	600	580	300	575-600	7.0

COMPONENT PARTS

ITEM	PARTS	MATERIAL
1.	Body	AISI304
2.	Gasket	EPDM
3.	Bolt And Nut	Galvanized Iron