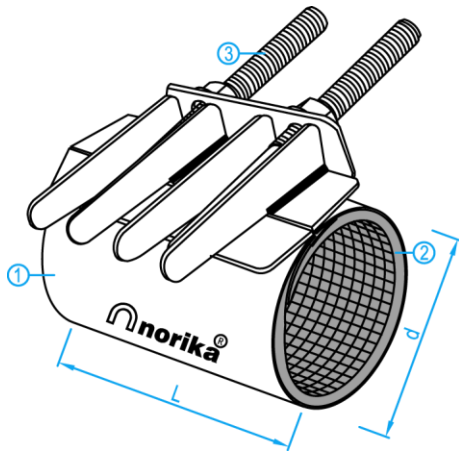


# AISI304 STAINLESS STEEL FULL REPAIR CLAMP



3-D VIEW

COMPONENT PARTS

ITEM	PARTS	MATERIAL
1	Body	AISI304
2	Gasket	EPDM
3	Bolt And Nut	AISI304

STANDARD SPECIFICATIONS

SKU	SIZE (mm)	d (mm)	L (mm)	RANGE MIN/MAX (mm)	WEIGHT (kg)
SSFRC035150	35	48	150	32-39	1.2
SSFRC042150	42	55	150	43-47	1.3
SSFRC050150	50	60	150	45-55	1.3
SSFRC065150	65	85	150	75-89	1.4
SSFRC080150	80	105	150	90-102	1.6
SSFRC080300	80	112	300	90-102	1.6
SSFRC100150	100	130	150	118-129	1.7
SSFRC100300	100	130	300	118-129	3.4
SSFRC125150	125	140	150	135-138	1.8
SSFRC125300	125	140	300	135-138	3.8
SSFRC150150	150	178	150	160-167	2.0
SSFRC150300	150	178	300	160-167	4.2
SSFRC200150	200	230	150	238-248	2.4
SSFRC200300	200	230	300	238-248	4.7
SSFRC250150	250	280	150	271-283	2.3
SSFRC250300	250	280	300	271-283	5.5
SSFRC300150	300	330	150	320-335	2.4
SSFRC300300	300	330	300	320-335	5.9
SSFRC350300	350	375	300	382-397	6.5
SSFRC400300	400	420	300	410-420	6.5