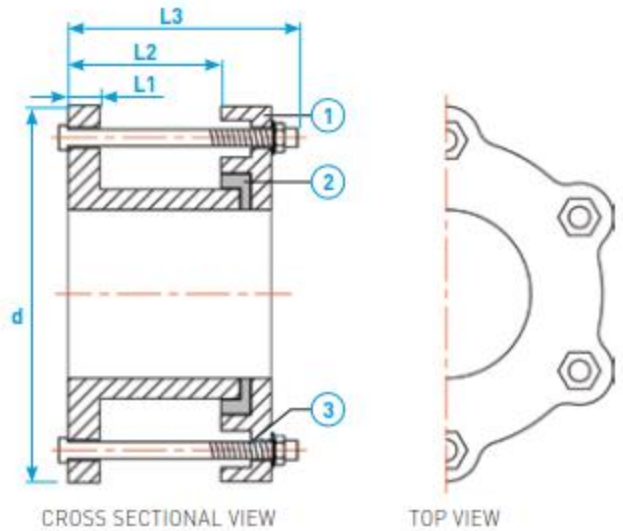
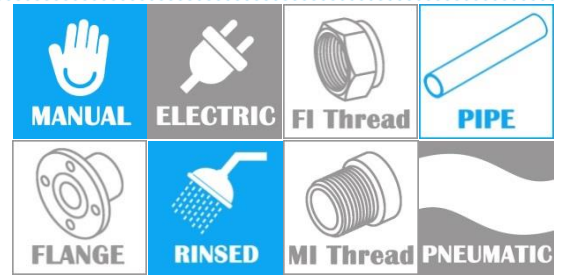


HEAVY DUTY DUCTILE IRON FLANGE ADAPTOR C/W EPOXY COATED



OPERATING PRESSURE	
Nominal Pressure	PN16
Sealing Test Pressure	1.76Mpa
Strength Test Pressure	2.4Mpa

COMPONENT PARTS		
ITEM	PARTS	MATERIAL
1.	Body	Ductile Iron
2.	Seal Ring	EPDM
3.	Bolt	Galvanized Iron

STANDARD SPECIFICATIONS

SKU	SIZE (mm)	OD (mm)	L1 (mm)	L2 (mm)	L3 (mm)	d (mm)	PCD (mm)	NO OF BOLT	WEIGHT (kg)
DIFA080EPC	80	98	19	73	160	190	160	4	5.8
DIFA100EPC	100	118	19	76	170	214	180	4	6.4
DIFA150EPC	150	170	19	76	170	267	240	4	10.5
DIFA200EPC	200	222	20	76	180	330	295	6	14.3
DIFA250EPC	250	274	22	90	180	386	355	6	19.2
DIFA300EPC	300	326	22	90	180	439	410	6	23.0