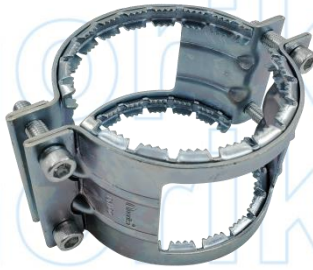
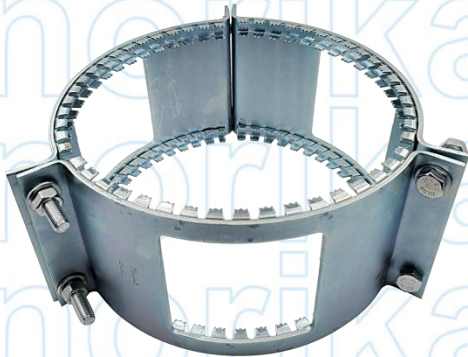


KOMBI GRIP COLLAR

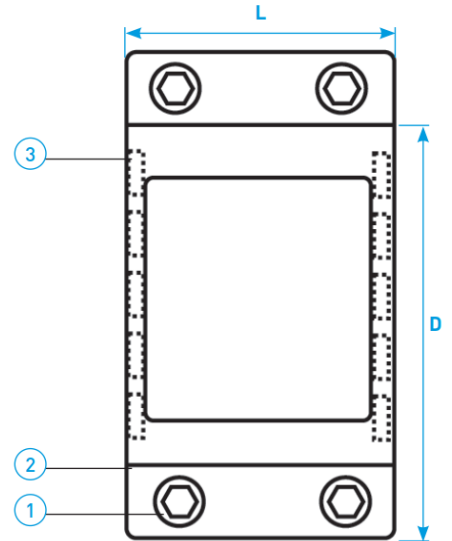
COMPLY WITH EN877:2010



HUBKV050~150



HUBKV200~300



SIDE VIEW

COMPONENT PARTS

ITEM	PARTS	MATERIAL
1	Hexagon Socket Head Screw	Q235 Carbon Steel
2	Metal Collar	Q235 Carbon Steel
3	Claw Insert	Q235 Carbon Steel

DIMENSIONS

SKU	SIZE (mm)	L (mm)	D (mm)	BAR	BOLT	TORQUE (Nm)	WEIGHT (kg)
HUBKV050	50	72	124	7	M8	23~25	0.650
HUBKV080	80	72	149	5	M8	25~28	0.765
HUBKV100	100	85	180	5	M10	25~30	1.100
HUBKV125	125	98	210	5	M10	40~60	-
HUBKV150	150	98	230	5	M10	40~60	1.550
HUBKV200	200	111	287	2.5	M12	50~65	2.605
HUBKV250	250	146	367	2	M12	50~65	4.620
HUBKV300	300	130	419	1	M12	50~65	-

* Used axially, extension resistance with hubless stainless steel clips (Type A, Type B & Type F).