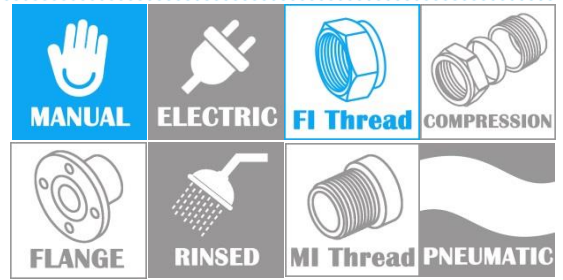
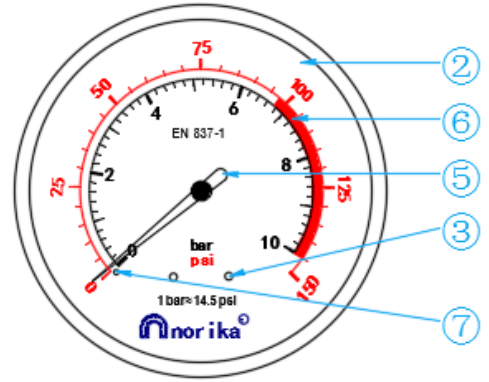


DRY PRESSURE GAUGE [BACK MOUNT CONNECTION]



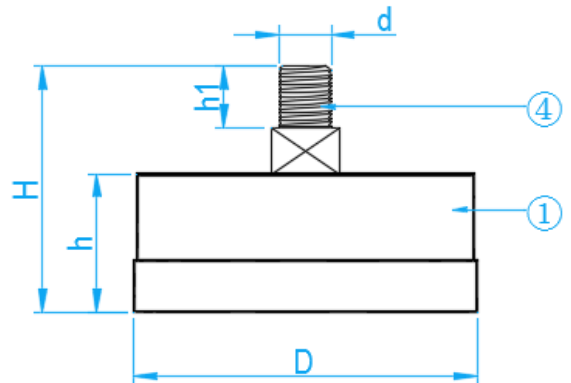
FRONT VIEW



FRONT VIEW



BACK VIEW



SIDE VIEW

COMPONENT PARTS

ITEM	PARTS	MATERIAL
1	Case	Iron Black Painted
2	Viewing lens	ABS
3	Screw	Stainless Steel
4	Socket	Brass
5	Indicator needle	Aluminium Black Painted
6	Dial	Aluminium White Painted With Black/ Red Marking
7	Stop Pin	Aluminium

STANDARD SPECIFICATIONS

SKU	SIZE (mm)	D (mm)	d (mm)	H (mm)	h (mm)	h1 (mm)	WEIGHT (kg)	PCS/CTN	OPERATING PRESSURE
PGB060150	60	62	1/4" BSPT	47	29	12	0.125	100	0-10 BAR (0-150PSI)