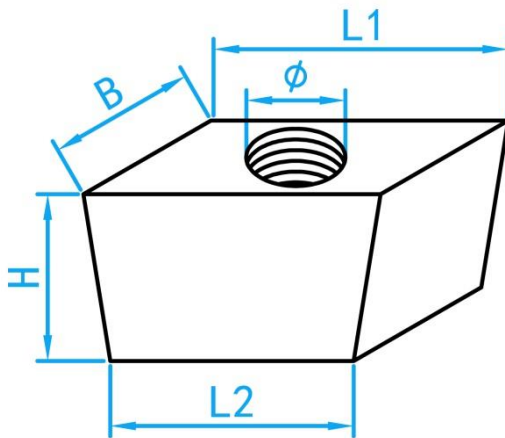
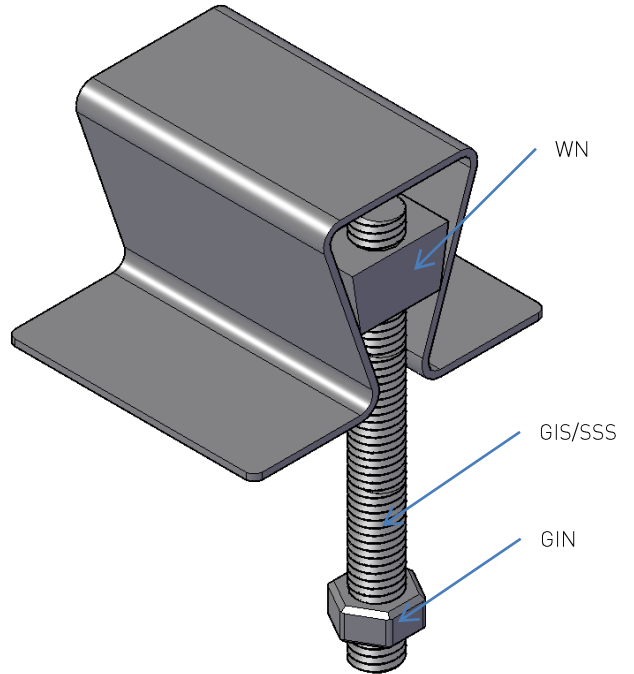


UNISTRUT GALVANIZED IRON WEDGE NUT



3D View



INSTALLATION ASSEMBLY

COMPONENT PARTS

MATERIAL	Mild Steel
COATING	Cold Galvanized

APPLICATIONS:

For the installation of service hangers in Norika Strut Channels.

Allowable Working Load Capacity: 3.0 KN

DIMENSIONS

SKU	Thread Size ϕ	L1 (mm)	L2 (mm)	B (mm)	H (mm)	WEIGHT (kg)	PCS/CTN
WN38	3/8"	23.25 \pm 0.5	19.12 \pm 0.5	11.5 \pm 0.5	13.18 \pm 0.5	0.02	1000
WNM10	M10	23.25 \pm 0.5	19.12 \pm 0.5	11.5 \pm 0.5	13.18 \pm 0.5	0.02	1000