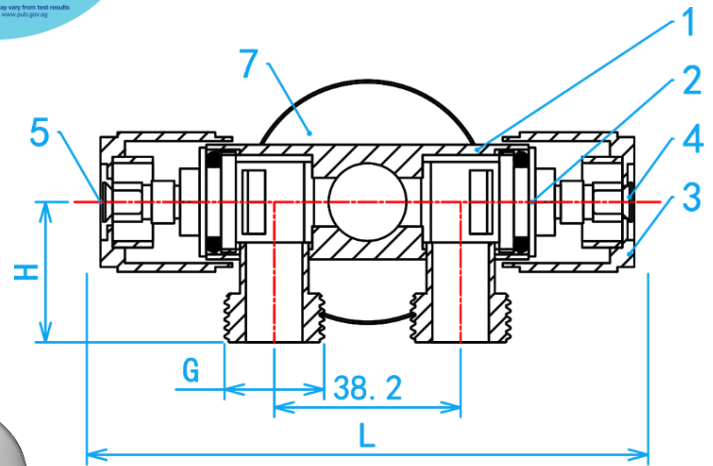
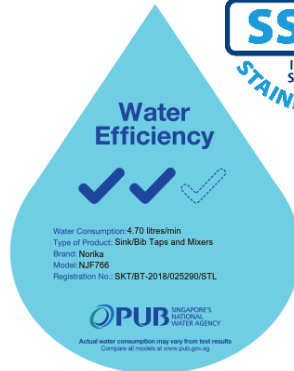
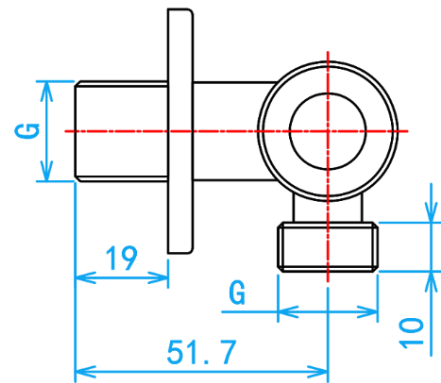


AISI304 LUXURY TWO WAY TAP

COMPLY WITH BS EN200:2008
 BSEN248:2002
 AS/NZS:4020:2005
 SS375:2001 Part 1



SECTION VIEW



SIDE VIEW

COMPONENT PARTS

ITEM	PARTS	MATERIAL
1	Body	AISI304
2	Piston	Ceramic
3	Handle	AISI304
4	Nut	AISI304
5	Cover	AISI304
6	Flow Regulator	ABS + EPDM
7	Decorative cover	AISI304
8	Bush	DZR Brass

STANDARD SPECIFICATIONS

Nominal pressure	1.0MPa
Working Medium	Water
Working Temperature	≤ 90 °C

SPECIFICATIONS

SKU	G (inch)	L (mm)	H (mm)	WEIGHT (Kg)	PCS/CTN
NJF766	1/2" BSP	115	28.75	0.325	60