

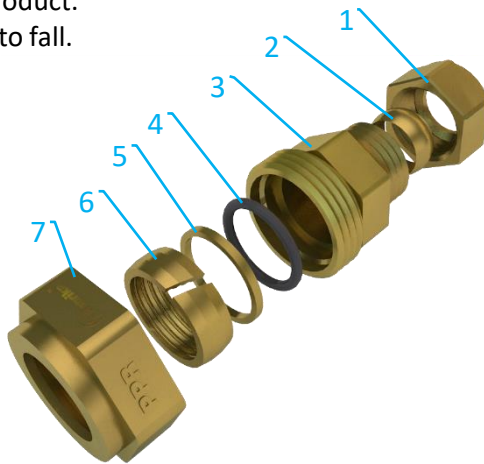
Compression Coupler (PPR-copper Qucik Fit Brass CR Equal Socket) Manual

1. Tips

Please try not to disassemble the product. There are many parts and it is easy to fall.

Parts List

1	Nut	1 Nos
2	Ring	1 Nos
3	Body	1 Nos
4	Sealing	1 Nos
5	Washer	1 Nos
6	Brass Ring	1 Nos
7	Nut	1 Nos



2. Rounding and beveling

PPR pipe:

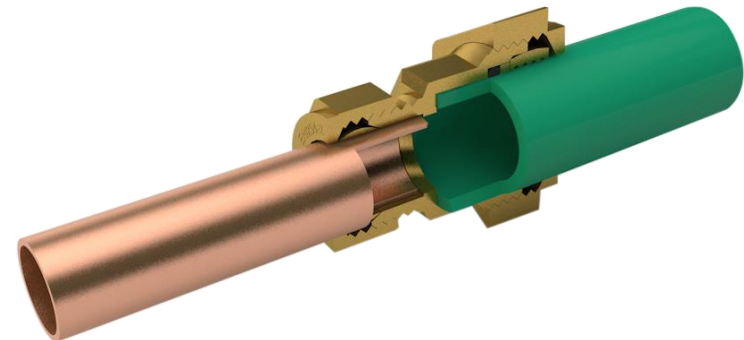
Round and bevel the end holes with reamer.



3. Cutting

Copper pipe:

Cut off the copper pipe with a copper pipe cutter.



4. Inserting and checking

PPR is heat free. Insert the PPR pipe and copper pipe directly.

Make sure that it is used correctly after installation and tighten the thread with a wrench.

After installation, the pipeline shall be subject to hydrostatic test.

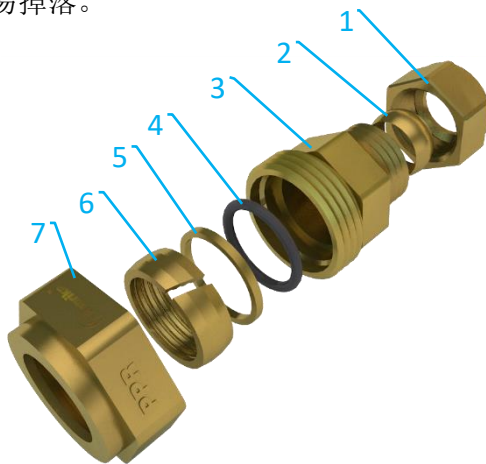
卡套接头 (PPR管-紫铜管 快插转换接头) 安装操作说明

1. 提示

请不要拆开产品，零件较多，容易掉落。

部件清单

1	螺母	1个
2	卡环	1个
3	主体接头	1个
4	密封	1个
5	垫圈	1个
6	铜卡环	1个
7	螺母	1个



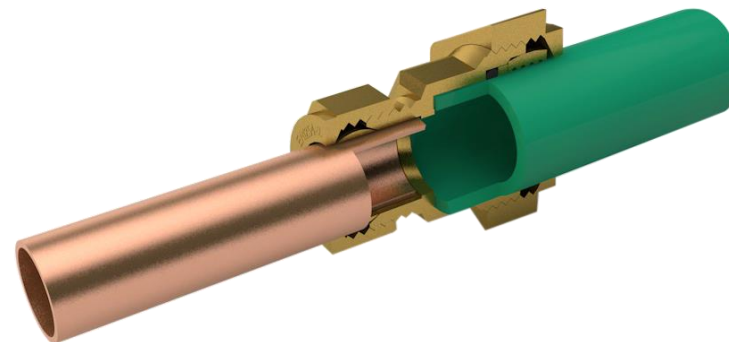
2. 倒圆、倒角

PPR管：用铰刀将端孔磨圆并倒角。



3. 切割

紫铜管：使用铜管割刀切割铜管。



4. 插管及检查

PPR管免热加工，将PPR管与铜管直接插入本产品。确保安装后正确使用，并用扳手拧紧螺纹。安装后管道进行水压试验。