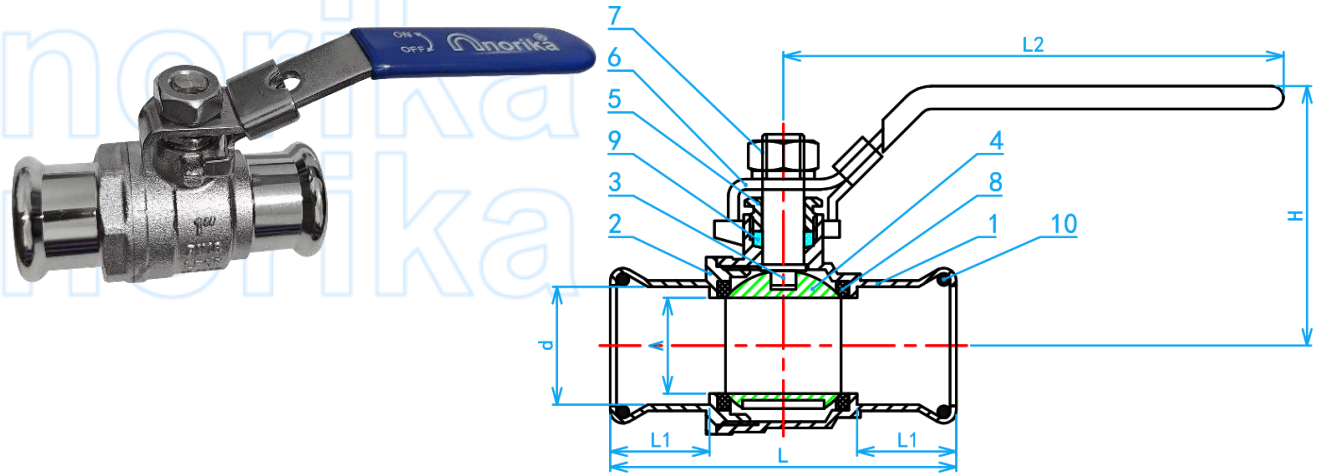


LOCKABLE BLUE HANDLE LFCR BRASS PRESS-FIT BALL VALVE (PFXPF)



COMPLY WITH BSEN13828:2003



CROSS SECTIONAL VIEW

COMPONENT PARTS

ITEM	PARTS	MATERIAL
1	Body	Nickel Plated LFCR Brass
2	Bonnet	Nickel Plated LFCR Brass
3	Stem	LFCR Brass
4	Ball	Nickel Plated LFCR Brass
5	Locking Nut	Brass
6	Handle	PVC Coated AISI304
7	Nut	AISI304
8	Seat	PTFE
9	Sealing	PTFE
10	O-Ring	EPDM

STANDARD SPECIFICATIONS

Max Pressure	16 Bars
Working Medium	Water
Working Temperature	-20°C ≤ t ≤ 120 °C

DIMENSIONS

SKU	DN (mm)	d (mm)	A (mm)	H (mm)	L (mm)	L1 (mm)	L2 (mm)	WEIGHT (kg)	PCS/CTN
BVCRPFN015F	15	15	13	47	74.0	20	100	0.185	100
BVCRPFN020F	20	22	17	50	78.0	21	100	0.255	80
BVCRPFN025F	25	28	23	60	89.0	23	120	0.400	64
BVCRPFN035F	32	35	30	65	104.5	26	120	0.570	32
BVCRPFN042F	42	42	37	83	125.0	30	150	0.880	24
BVCRPFN050F	50	54	47	93	139.0	35	150	1.250	16
BVCRPFN065F	65	67	57	105	180.0	45	170	2.260	8