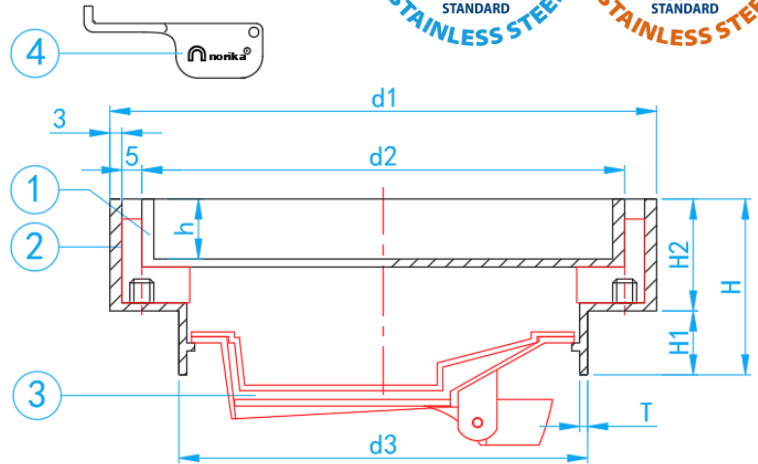
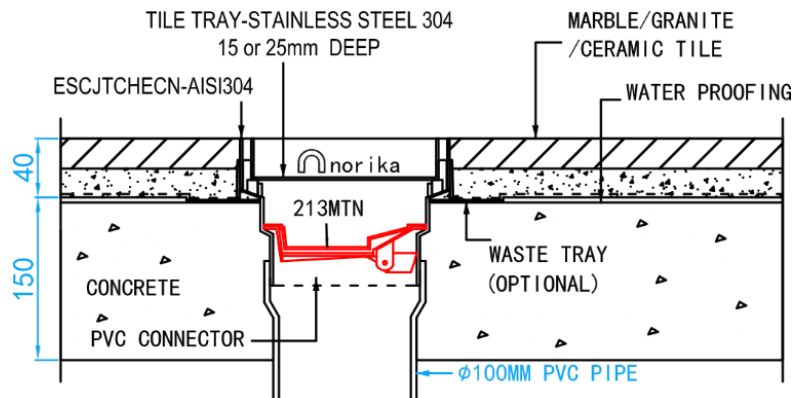


AISI304L/ AISI316L LUXURY SMARTDRAIN TILE & MARBLE (For GCB Projects)

COMPLY WITH SS213:1998



CROSS SECTIONAL VIEW



INSTALLATION EFFECT

CHARACTERISTIC	
Main function	Drainage, sealing
Surface treatment	Hairline
Applications	Sleek and modern smartdrain specially designed for GCB and projects seeking a luxurious design.

COMPONENT PARTS		
ITEM	PARTS	MATERIAL
1	Tray	AISI304L / AISI316L
2	Frame Base	AISI304L / AISI316L
3	Filter	UPVC (213MTNB)
4	Key	PBT

DIMENSIONS

SKU	Material	d1 (mm)	d2 (mm)	d3 (mm)	H (mm)	H1 (mm)	H2 (mm)	h (mm)	T (mm)	WEIGHT (Kg)	PCS/CTN
SMARTDRAIN125T-GCB	AISI304L	137	121	102.5	44	16	28	15	2	0.970	20
SMARTDRAIN125M-GCB					52					1.152	20
SMARTDRAIN125T-G6	AISI316L				44					0.970	20
SMARTDRAIN125M-G6					52					1.152	20