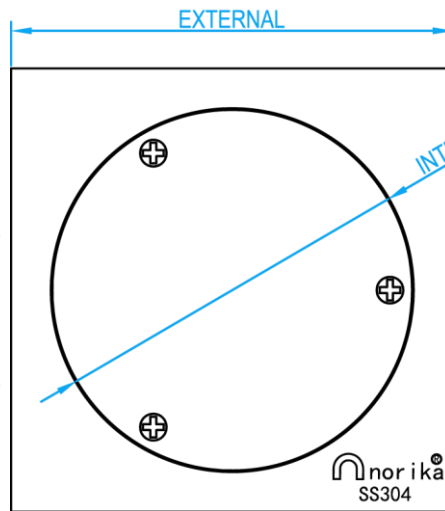


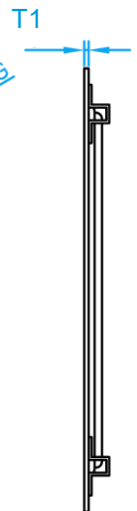
STAINLESS STEEL 304L/316L SQUARE GRATINGS

COMPLY WITH SS213:1998

NO HOLE

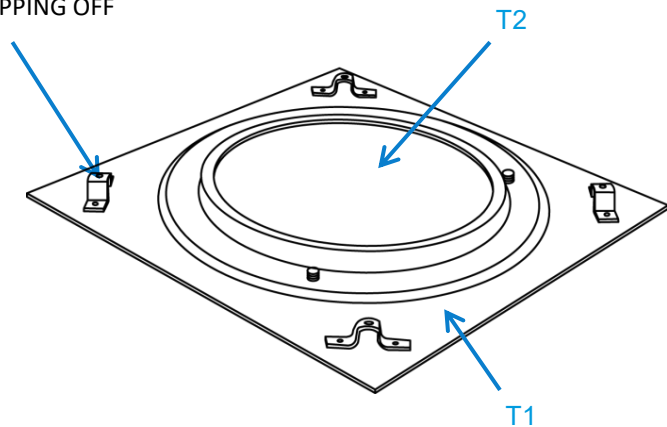


TOP VIEW



SIDE VIEW

GRIPS ARE ADDED TO HOLD ONTO THE CEMENT AND PREVENT GRATING FROM SLIPPING OFF



DIMENSIONS

SKU	MATERIAL	SURFACE	INTERNAL OPENING (mm)	T1 × T2 (mm)	EXTERNAL (mm)	WEIGHT (kg)	PCS/CTN
SSGN100HLNH-R3P	SS304L	HAIRLINE	Ø86	1.5 × 2.0	100 × 100	0.138	100
SSGN100HLNHR3P316L	SS316L	HAIRLINE	Ø86	1.5 × 2.0	100 × 100	0.138	100
SSGN150HLNH-R3P	SS304L	HAIRLINE	Ø123	1.5 × 2.0	150 × 150	0.340	40
SSGN150HLNHR3P316L	SS316L	HAIRLINE	Ø123	1.5 × 2.0	150 × 150	0.340	40